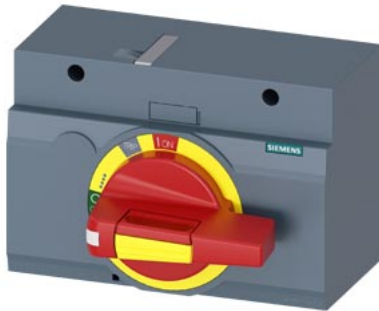


front mounted rotary operator emergency-off IEC IP30/40 accessory for: 3VA1 400/630 3VA2 400/630



Model	
product brand name	SETRON
product designation	Accessories
design of the product	Front rotary operating mechanism
accessories	Front rotary operator

General technical data	
protection class IP	IP30

Mechanical Design	
height	94 mm
width	138 mm
depth	108 mm

Certificates			
General Product Approval	EMC	Declaration of Conformity	Marine / Shipping

[Miscellaneous](#)



other	Environment
-------	-------------

[Confirmation](#)

[Miscellaneous](#)

[Miscellaneous](#)

[Environmental Confirmations](#)

Further information

Siemens has decided to exit the Russian market (see here).

<https://press.siemens.com/global/en/pressrelease/siemens-wind-down-russian-business>

Siemens is working on the renewal of the current EAC certificates.

Please contact your local Siemens office on the status of validity of the EAC certification if you intend to import or offer to supply these products to an EAC relevant market (other than the sanctioned EAEU member states Russia or Belarus).

Information on the packaging

<https://support.industry.siemens.com/cs/ww/en/view/109813875>

Information- and Downloadcenter (Catalogs, Brochures,...)

<http://www.siemens.com/lowvoltage/catalogs>

Industry Mall (Online ordering system)

<https://mall.industry.siemens.com/mall/en/en/Catalog/product?mlfb=3VA9467-0EK15>

Service&Support (Manuals, Certificates, Characteristics, FAQs,...)

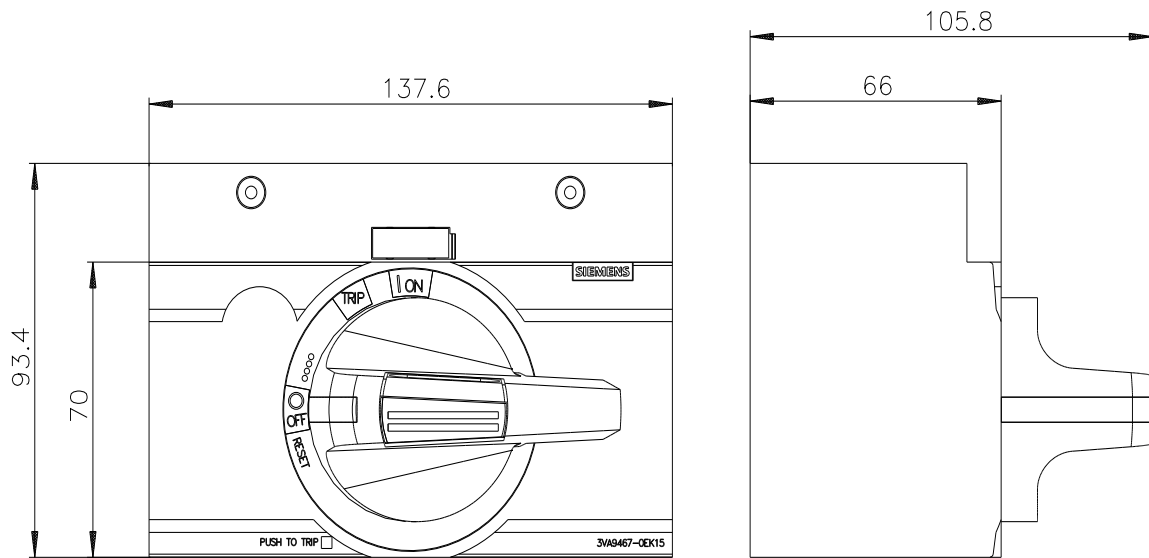
<https://support.industry.siemens.com/cs/ww/en/ps/3VA9467-0EK15>

Image database (product images, 2D dimension drawings, 3D models, device circuit diagrams, ...)

http://www.automation.siemens.com/bilddb/cax_en.aspx?mlfb=3VA9467-0EK15

CAx-Online-Generator

<http://www.siemens.com/cax>



last modified:

12/20/2020

